



# Clutch Specifications

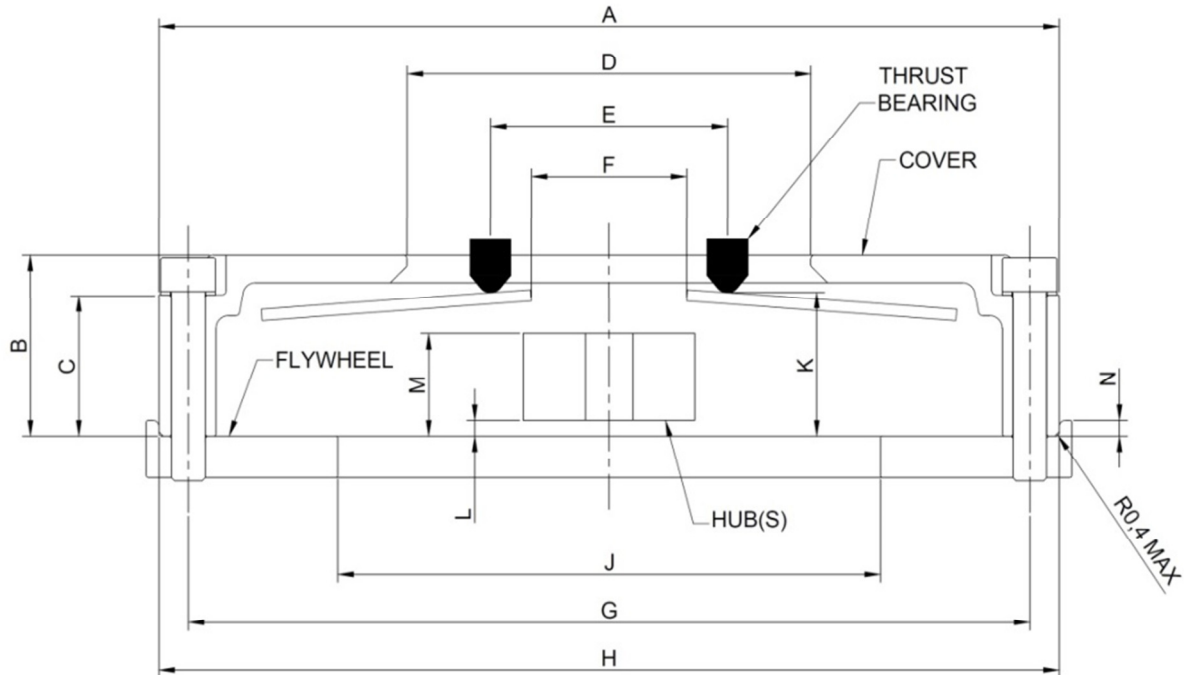
Doc Number:  
3918-01-500

Revision:  
A

Title:  
3918 Series – 215mm Single Plate Track Day Clutch

Author:  
SRV

Effective Date:  
20/10/2017



## Clutch Dimensions

Dim	Description	mm
A	Diameter of cover	248
B	Height of cover	32
C	Grip height	24
D	Minimum inside diameter of cover	115
E	Min/max thrust bearing fulcrum diameter	45/50
F	Minimum inside diameter of spring fingers	39.5
G	Mounting bolt/stud PCD - <b>BASIC</b>	232
H	Flywheel pot diameter +0.015/-0.015	244.986
J	Flywheel inner diameter +0/-2	158
L	Clutch face to start of hub(s)	-
M	Clutch face to end of hub(s)	-
N	Minimum flywheel spigot step height	2.5

- Dimensions “L” and “M” are dependent on hub configurations selected at time of order. Please consult TTV Racing for details.

## Clutch Fastener Specifications

- Clutch should be fastened to the flywheel using 6 off M8 studs/ mechanical locking nuts or M8 Cap head screws/ safety washers.
- Fastener strength should be grade 10.9 minimum.
- Fasteners to be gradually tightened to 22Nm (16lbf) in a criss-cross pattern.

### Terms and Conditions.

TTV Racing parts are designed for motorsport requirements only and have not been designed/ tested/ homologated for road use. TTV Racing parts are sold without any express warranty or any implied warranty of merchantability or fitness for a particular purpose. TTV Racing shall not, under any circumstances, be liable for any special, incidental or consequential damages, including, but not limited to, damage, or loss of property or equipment, loss of profits or revenue(s), cost of purchased or replacement goods, or claims of customers of the purchase, which may arise and/ or result from sale, installation or use of these parts. Installation of these parts may void vehicle manufacturers warranty coverage and/ or may cause the vehicle to be illegal in some countries. Please check with local laws on the road use of your vehicle. TTV Racing reserves the right to make product improvements and changes without notice and without incurring liability with respect to similar products previously manufactured. By using these parts you are accepting these terms and conditions.

	<h1>Clutch Specifications</h1>	Doc Number: 3918-01-500	Revision: A
	Title: 3918 Series – 215mm Single Plate Track Day Clutch	Author: SRV	Effective Date: 20/10/2017

## Clutch Performance Specifications

Clutch Type (Spring Colour)	Setup Height "K" mm		Torque Capacity Organic/ Cerametallic Nm (lbft)	Max Release Load Kg	Spring Thickness mm
	New	Worn			
3918-02-500 (Orange)	26	30.8	364 (269) / 492 (363)	275	2.8
3918-02-501 (Silver)	25.2	30	407 (300) / 588 (434)	305	3

- Setup heights are from flywheel friction face and based on using an Ø50mm release bearing. Heights are subject to a tolerance of ±0.5mm.
- Release loads are based on an Ø50mm release bearing. A smaller diameter bearing will reduce release loads.

## Clutch Mass and Inertias

Clutch Type	Assembly Mass Kg	Assembly MMOI Kg.m <sup>2</sup>
3918-02-500	2.821	0.0245
3918-02-501	2.859	0.0247

- Mass and inertias are for cover assemblies only and are estimated values.

## Release Bearing Specification

- Release bearing should be of the steel caged, flat nose type. Nominal Ø50mm diameter.
- Release bearing travel must not exceed 10mm and should be limited by an external stop.
- Release bearing should be free of the spring fingers when clutch is fully engaged.

## Maintenance

Type	Thickness mm		Flatness mm
	New	Worn	
Pressure Plate	16	15.8	0.10
Drive Plate	7	5.7	0.15

- Total allowable wear shall be not more than 1.3mm for the whole assembly.
- Pressure, floater and drive plates should be checked for flatness and wear.
- Regular inspection and maintenance of the clutch is recommended for optimum performance over the life of the clutch. Excessive "blueing" of the pressure and floater plates indicates high heat generation from slippage and the clutch should be sent back to TTV Racing for evaluation of clamp load and warping.

### Terms and Conditions.

TTV Racing parts are designed for motorsport requirements only and have not been designed/ tested/ homologated for road use. TTV Racing parts are sold without any express warranty or any implied warranty of merchantability or fitness for a particular purpose. TTV Racing shall not, under any circumstances, be liable for any special, incidental or consequential damages, including, but not limited to, damage, or loss of property or equipment, loss of profits or revenue(s), cost of purchased or replacement goods, or claims of customers of the purchase, which may arise and/ or result from sale, installation or use of these parts. Installation of these parts may void vehicle manufacturers warranty coverage and/ or may cause the vehicle to be illegal in some countries. Please check with local laws on the road use of your vehicle. TTV Racing reserves the right to make product improvements and changes without notice and without incurring liability with respect to similar products previously manufactured. By using these parts you are accepting these terms and conditions.